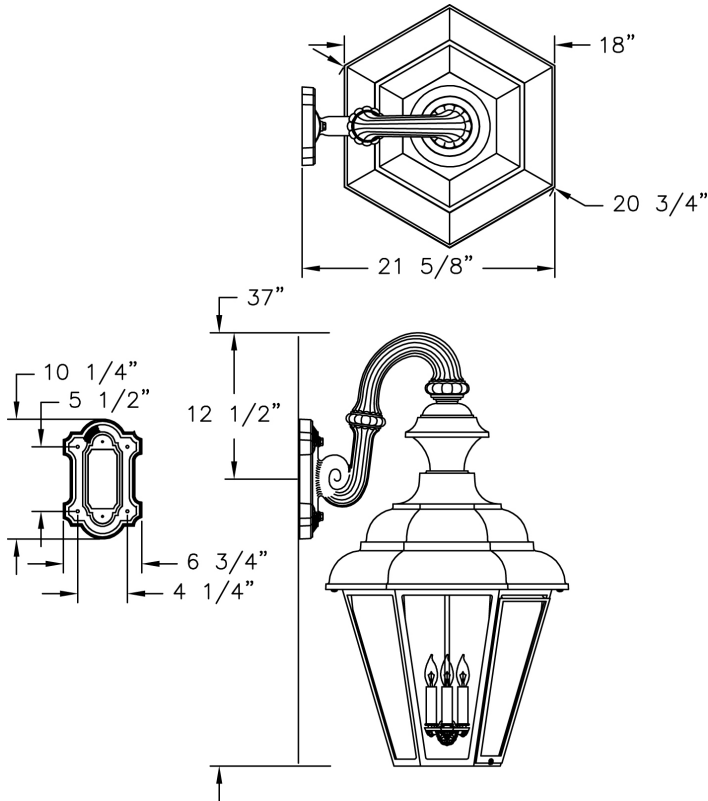


# Grande Jamestown Wall Mount (B308FRM) Specification Sheet

Project Name:	Location:	MFG: Philips Lighting
Fixture Type:	Catalog No.:	Qty:



## Ordering Guide

Example: B308FRM ABS A C3

Product Code	B308FRM	Grande Jamestown Wall Mount
<b>Finish</b>	ABS ACP ARD ASI BLK BRN BRZ FGN GRA IRN RBZ SRT VBZ VCP VGN VTC WBZ WHT	Antique Brass Antique Copper Antique Red Antique Silver Black Brown Bronze Forest Green Granite Ironstone Rustic Bronze Shadow Rust Verde Bronze Verde Copper Verde Vintage Copper Weathered Bronze White
<b>Panel/Globe</b>	A B E D C P M Q	Clear Acrylic (standard) Opal Acrylic Clear Textured Acrylic Bronze Tone Acrylic Clear Seeded Acrylic Clear Polycarbonate Opal Polycarbonate Prismatic Polycarbonate
<b>Lamping</b>	C3 D	B1-3 light cluster Medium Base

## Specifications

### CONSTRUCTION:

Cast aluminum construction. 1 Door and 5 cage panels. Painted metal covers and two (2) piece painted metal body. Cast Aluminum "S" fluted bracket arm.

### FINISH:

Resilient TGIC thermoset polyester powdercoat paint is electrostatically applied to every fixture. Specially formulated for Philips Outdoor Lighting, it provides UV protection, and the highest temperature rating in the industry. In addition to the standard color choices shown, a spectrum of custom colors is available.

### PANELS/LENS/GLOBE:

See lenses for available options.

### LAMPING:

B1-3 light candelabra (C3), 25W max per candelabra. Or medium base socket (D), 100W max. Lamp(s) not included.

### ELECTRICAL ASSEMBLY:

Fixture is pre-wired with 18 AWG black, white, and ground wires. Lantern will be prewired and tested. All electrical components are ETL listed.

### MOUNTING:

Mounting Hardware is supplied. See template for dimensions & mounting instructions.

### WARRANTY:

# Grande Jamestown Wall Mount (B308FRM) Specification Sheet

Project Name:

Location:

MFG: Philips Lighting

Fixture Type:

Catalog No.:

Qty:

Lifetime limited warranty.

## **CERTIFICATIONS:**

ETL Listed to U.S. safety standards for wet locations. cETL Listed to Canadian safety standards for wet locations.

## **Height:**

45 1/8"

## **Width:**

20 3/4"

## **Projection:**

21 5/8"

## **Top to Outlet:**

12 1/2"

## **Max. Weight:**

41 lb.